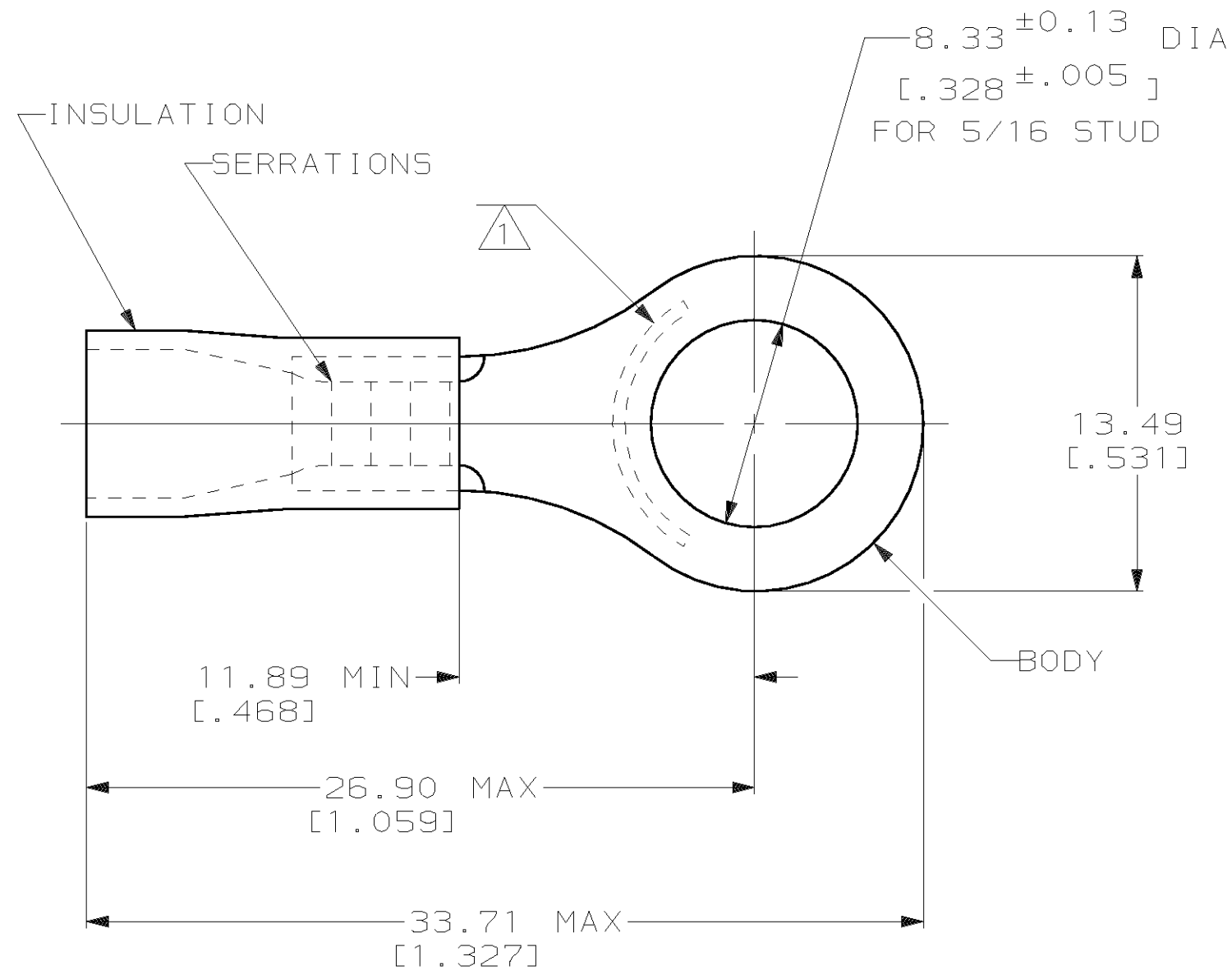


THIS DRAWING IS UNPUBLISHED. RELEASED FOR PUBLICATION, 19
 © COPYRIGHT 19 BY AMP INCORPORATED. ALL INTERNATIONAL RIGHTS RESERVED.

LOC	DIST	P	F	REVISIONS				
G	14			ZONE	LTR	DESCRIPTION	DATE	APPD
					N	REV PER 0G3A-0630-01	13NOV01	S ^R TM

AMP WIRE RANGE	UL Listed	SR LR7189 Certified
12-10 AWG SOLID OR STRANDED	12-10 AWG SOLID OR STRANDED	12-10 AWG SOLID OR STRANDED



- ① STAMP AMP 12-10* APPROX AS SHOWN
- ② WIRE INSULATION DIA: .150-.230
- ③ TONGUE MATERIAL THK: 1.02±0.05 [.040±.002]
- ④ PVC COLOR: YELLOW
- ⑤ PVC COLOR: BLACK
- ⑥ REPLACED BY 34172

	50	LOOSE PC, BOX	④	8-34172-2
	2500	2-34172-2 ON TAPE	⑤	2-34172-3
OBSOLETE	-	LOOSE PIECE	⑤	2-34172-2 ⑥
	2500	34172 ON TAPE	④	2-34172-1
	-	LOOSE PIECE	④	34172
QUANTITY	PACKAGE TYPE	PART NO		

AMP INCORPORATED
CUSTOMER SERVICE SYSTEMS

FOR ADDITIONAL PRODUCT INFORMATION OR COPIES OF DRAWINGS AND TECHNICAL DOCUMENTS	PRODUCT INFORMATION CENTER 1-800-522-6752
FOR APPLICATION TOOLING INFORMATION	TOOLING ASSISTANCE CENTER 1-800-722-1111
FOR ORDER ENTRY	1-800-526-5142

MAX RECOMMENDED OPERATING TEMPERATURE:
 90°C MAX

VOLTAGE RATING:
 NOT APPLICABLE

CIRCULAR MIL AREA:
 2.62-6.64mm² [5,180-13,100]
 SOLID OR STRANDED

DO NOT SCALE PRINT. UNLESS SPECIFIED DIMENSIONS IN mm [INCHES] TOLERANCES ON:
 2 PLC DEC ± 0.20[.008]
 3 PLC DEC ± -
 ANGLES ± -

MATERIAL
 COPPER PER ASTM B-152
 PVC COLOR, SEE TABLE

FINISH
 TIN PLATE
 PER MIL-T-10727

DR 08/06/92
 DK SCHRUM

CHK 11/10/92
 RE HERSEY

APPD 11/10/92
 ML ELLIS

APPD 11/10/92
 M BARNABA

PRODUCT SPEC
 108-1034

APPLICATION SPEC
 NOT AVAILABLE

WEIGHT -

AMP AMP Incorporated
 Harrisburg, PA 17105-3608

NAME
 TERMINAL, RING TONGUE, PLASTI-GRIP™

SIZE	CAGE CODE	DRAWING NO
B	00779	C-34172
SCALE	SHEET	
4:1	1 OF 1	